

AISLADORES PASANTES PARA TRANSFORMADORES
BAJA TENSIÓN (HASTA 1000 V)

TRANSFORMER BUSHINGS
LOW VOLTAGE (UP TO 1000 V)

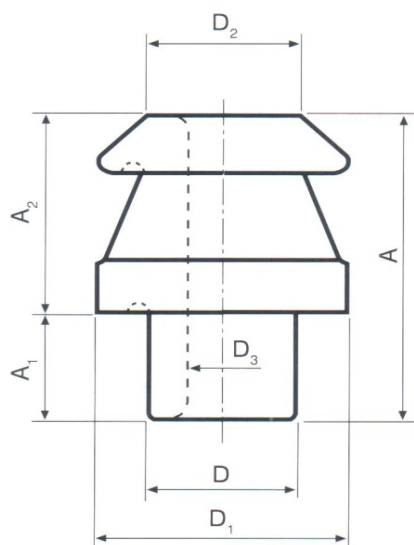


Figura 1

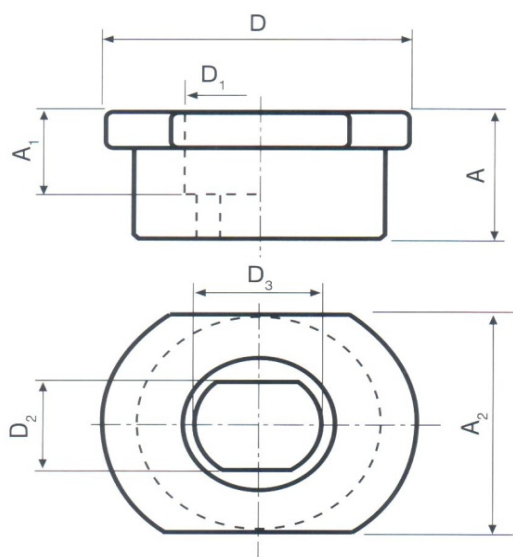


Figura 2

MODELO FAPA - CÓDIGO FAPA'S REFERENCE - CODE	A	BTE 200		BTE 600		BTE 1000		BTE 2000	
		Fig. 1	Fig. 2	Fig. 1	Fig. 2	Fig. 1	Fig. 2	Fig. 1	Fig. 2
Corriente nominal Rated current	A	250		630		1000		2000	
Cota A Dimension A	mm in	70 2 3/4	30 1 3/16	80 3 5/32	30 1 3/16	85 3 11/32	35 1 3/8	85 3 11/32	35 1 3/8
Cota A ₁ Dimension A ₁	mm in	25 63/64	20 25/32	25 63/64	20 25/32	30 1 3/16	25 63/64	30 1 3/16	25 63/64
Cota A ₂ Dimension A ₂	mm in	45 1 49/64	50 1 31/32	55 2 11/64	70 2 3/4	55 2 11/64	90 3 35/64	55 2 11/64	104 4 3/32
Cota D Dimension D	mm in	27 1 1/16	60 2 23/64	43 1 11/16	85 3 11/32	53 2 3/32	110 4 21/64	66 2 19/32	125 4 59/64
Cota D ₁ Dimension D ₁	mm in	50 1 31/32	30 1 3/16	70 2 3/4	46 1 13/16	90 3 35/64	57 2 1/4	104 4 3/32	70 2 3/4
Cota D ₂ Dimension D ₂	mm in	32 1 17/64	20 25/32	47 1 27/32	28 1 7/64	65 2 9/16	37 1 29/64	80 3 5/32	51 2 1/64
Cota D ₃ Dimension D ₃	mm in	14 35/64	26 1 1/32	22 55/64	41 1 39/64	32 1 17/64	46 1 13/16	44 1 47/64	64 2 33/64
Peso neto aproximado Approximate net weight	kg lb	0,15 0.33	0,11 0.25	0,40 0.88	0,30 0.66	0,70 1.54	0,45 0.99	0,88 1.94	0,57 1.26

Responden a norma IRAM 62530
According to IRAM 62530 standard

Disponibles en color marrón o blanco
Available in brown or white

Para mayor información, por favor contáctese con nosotros: info@fapa.com.ar
For further information, please contact us: info@fapa.com.ar